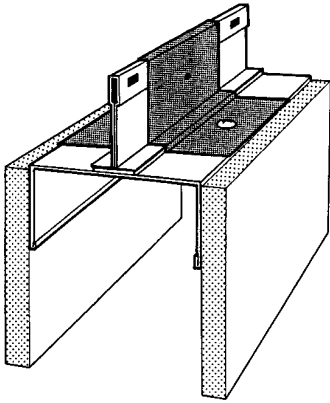


# Revoe™ Clip

## - Partition to Ceiling

The patented Revoe clip is designed to facilitate the fixing of full height partitions to DONN® Brand DX or DXT Centricitee exposed grid ceiling systems. Revoe clips should be specified for seismic prone areas, where building movement may be anticipated or where partition demountability and damage prevention to the ceiling grid is desired.



- Revoe clips and DONN Brand grid form an effective seismic slip joint to minimise damage to the ceiling / partition interface (refer USG Ceiling Seismic Design Guide).
- Eliminates unsightly screw hole damage to the grid face.
- Fixing from the top of the partition allows for easy removal and wall relocation, unlike traditional fixings within the wall cavity.
- 3 types to integrate with USG Shadowline, Finline and Square edge acoustical ceiling panels.
- Quick and easy to install or reconfigure, saving on labour and material costs.

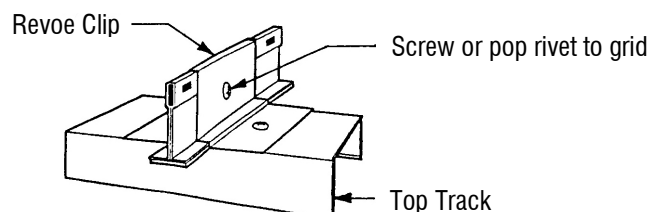
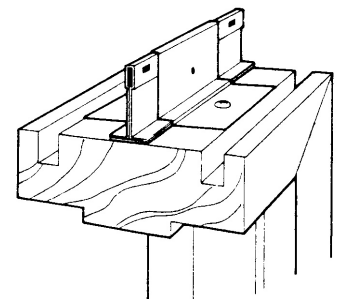
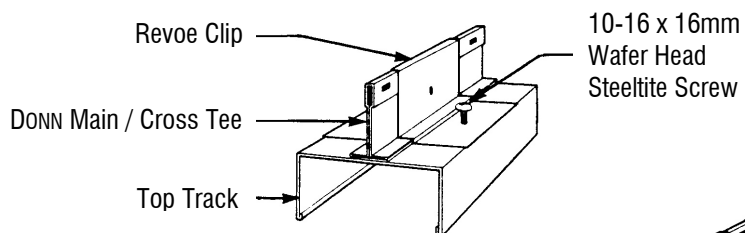
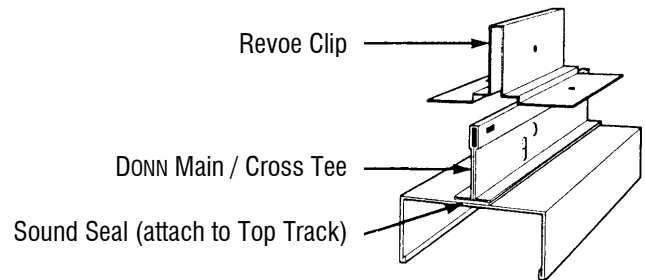
### Installation

1. Place the Revoe clip over the main/cross tee from the top

2. Screw through pre-punched holes in the Revoe clip into the top track of the partition.  
NOTE: Never screw through the ceiling grid

3. Place Revoe clips at door frames and glazing units. Clip to main/cross tee and screw into frames.  
NOTE: Always screw from the top to allow the Revoe clip to be moved if required, after partitions are completed.

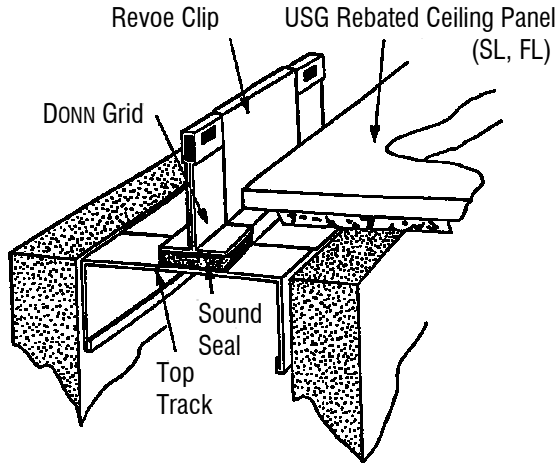
4. For across grid application, fasten to grid with a screw or pop rivet.  
NOTE: This connection does not provide full seismic separation.



# Revoe™ Clip

## - Partition to Ceiling

### Rebated Edge Ceiling Panels

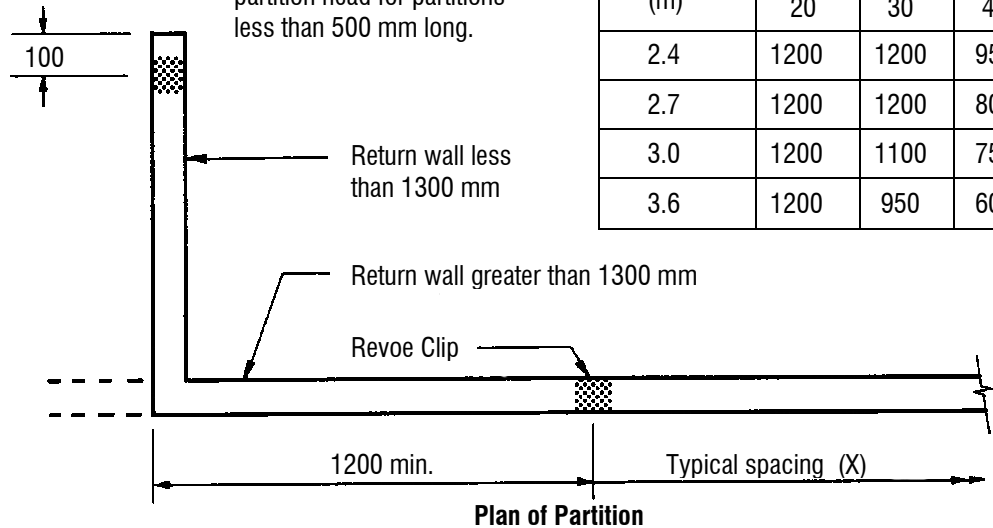


| Grid Type                       | Ceiling Panel Edge | Revoe Clip Type |
|---------------------------------|--------------------|-----------------|
| DONN DX<br>24mm                 | SQ                 | WSC 18          |
|                                 | SLT/SL/SLB         | WSC 38          |
| DONN DXT<br>Centricitee<br>15mm | SQ                 | WSC 18          |
|                                 | FLB/FL             | WSC 38 -9       |

### Revoe Clip Location

### Seismic Load Spacings

Note: Do not place clips at partition head for partitions less than 500 mm long.



| Stud Height (m) | Revoe Clip Spacing X (mm)           |      |     |
|-----------------|-------------------------------------|------|-----|
|                 | Partition Mass (kg/m <sup>2</sup> ) |      |     |
|                 | 20                                  | 30   | 45  |
| 2.4             | 1200                                | 1200 | 950 |
| 2.7             | 1200                                | 1200 | 800 |
| 3.0             | 1200                                | 1100 | 750 |
| 3.6             | 1200                                | 950  | 600 |

### Notes

1. Design is to NZS4203: 1984 and AS 1538-1988
2. Clip spacings are based upon the top storey of a multi level building in Zone A, with a risk factor of 1.6 ie worst case. For other cases refer to the USG Seismic Design Guide for Suspended Ceilings.
3. Clips shall be spaced at 1200mm maximum.
4. 20 kg/m<sup>2</sup> is approximately equal to the weight of a steel stud partition with 10mm gypsum board each side.
5. 45 kg/m<sup>2</sup> is approximately equal to the weight of a timber stud partition with 2 layers of 10mm gypsum board each side.

### NZ Building Code Compliance

Clause B2 - Durability

The USG Revoe Clip as an easily accessible element will have a minimum serviceable life of 5 years when installed and used in fully enclosed, dry, non-corrosive, interior conditions.



USG Australasia

© 2008

New South Wales  
Phone: (02) 8850 3935  
Fax: (02) 9659 9292

Queensland  
Phone: (07) 3852 5937  
Fax: (07) 3852 5758

Victoria  
Phone: (03) 9639 0900  
Fax: (03) 9639 0198

Auckland (Head Office)  
Phone: (09) 636 3680  
Fax: (09) 636 3679

Wellington  
Phone: (04) 560 4528  
Fax: (04) 560 4529

RV/5-08